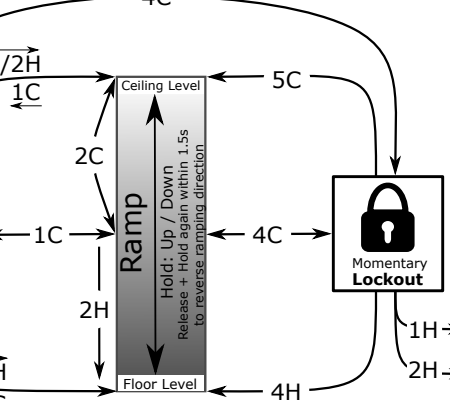
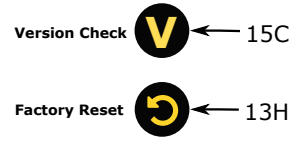
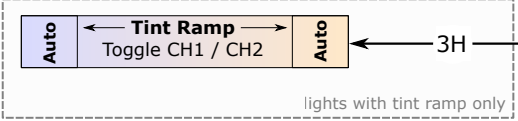


# Andúril 2

revision 2021/08/02

- Actions**
- 1C: Click
  - 1H: Hold
  - 2C: Click, Click
  - 2H: Click, Hold
  - 3C: Click, Click, Click



Simple UI  
Advanced UI

**Ramp Config Menu for current ramp mode or for Simple UI via 10H from OFF in Advanced UI**

- Release 7H (or 10H in Simple UI) after **first flash**  
▶ **Set Floor Level**  
Click n times for level n of 150
- Release 7H (or 10H in Simple UI) after **second flash**  
▶ **Set Ceiling Level**  
Click n times for the nth highest level of 150
- Release 7H (or 10H in Simple UI) after **third flash**  
▶ **Set number of steps\***  
Click n times for the number of steps

\* n/a in Advanced UI Smooth Ramp configuration

**Manual Memory Configuration Menu**

- Release 10H after **first flash**  
▶ **Disable manual memory**  
Click any value to disable manual memory
- Release 10H after **second flash**  
▶ **Configure manual memory timer**  
Click n times for n minutes (0 clicks = timer off)

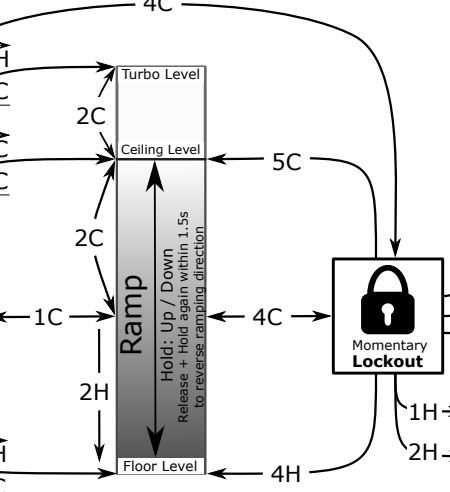
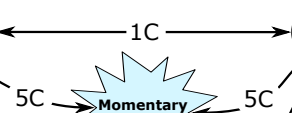
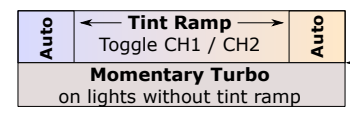
Automatic: last-ramped brightness  
Manual: user's saved brightness  
Hybrid: remember last-ramped brightness for n minutes

**Toggle Smooth / Stepped Ramp**

Activate **Manual Memory** & save current brightness

Turns off the light automatically. Keep holding to add 5min increments of runtime to the sunset timer.  
1 blink = 5 minutes

**Sunset Mode**



**Auto-Lock**  
n clicks = n minutes until locked automatically

**Brightness of AUX/Button LEDs in Lockout**  
Off - Low - High - Blinking

**Color of AUX/Button LEDs in Lockout**  
Red - Yellow - Green - Cyan ...

**Strobe Modes**

- Lightning Storm
- Candle Mode
- Tactical Strobe
- Party Strobe
- Bike Flasher

Set Candle Runtime: 1 blink = 5 min runtime

**Actions:**  
1H: brighter/faster (except Lightning Storm)  
2H: dimmer/slower (except Lightning Storm)  
5C: go to Momentary Mode / Strobe

**Brightness of AUX/Button LEDs in Standby**  
Off - Low - High - Blinking

**Color of AUX/Button LEDs in Standby**  
Red - Yellow - Green - Cyan ...

Version Check (V) ← 15C

Factory Reset (G) ← 13H

**Blinky & Utility Modes**

- Voltage Calibration
- SOS Mode
- Beacon Mode
- Temperature Check
- Batt Check

**Thermal Configuration**

- Release 7H after **first flash**  
▶ **Set Current Temperature**  
Click n times for n °C
- Release 7H after **second flash**  
▶ **Set Stepdown Temperature Limit**  
Click n times for n + 30°C

Set Beacon Frequency: 1 blink = 1 second pause