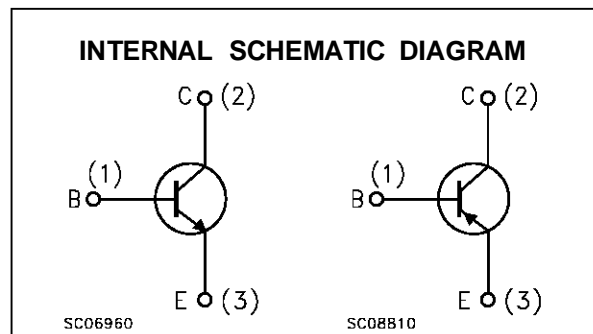
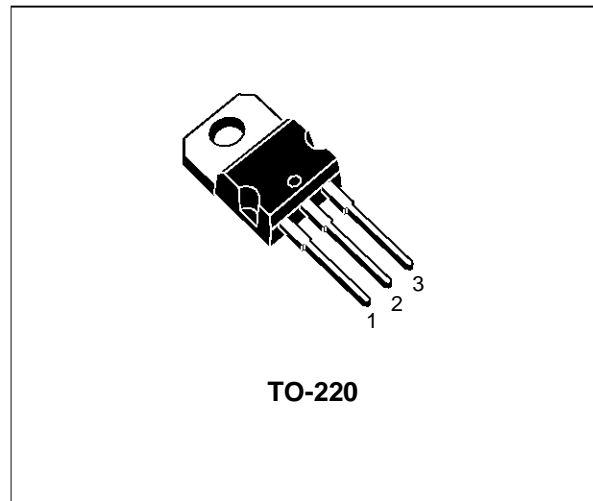


COMPLEMENTARY SILICON POWER TRANSISTORS

■ SGS-THOMSON PREFERRED SALESTYPES

DESCRIPTION

The TIP41A, TIP41B and TIP41C are silicon epitaxial-base NPN power transistors in Jedec TO-220 plastic package, intended for use in medium power linear and switching applications. The complementary PNP types are TIP42A, TIP42B and TIP42C.



ABSOLUTE MAXIMUM RATINGS

| Symbol | Parameter | Value | | | Unit | |
|-----------|--|------------|--------|--------|------------------|--------|
| | | NPN | TIP41A | TIP41B | | TIP41C |
| | | PNP | TIP42A | TIP42B | | TIP42C |
| V_{CBO} | Collector-Base Voltage ($I_E = 0$) | 60 | 80 | 100 | V | |
| V_{CEO} | Collector-Emitter Voltage ($I_B = 0$) | 60 | 80 | 100 | V | |
| V_{EBO} | Emitter-Base Voltage ($I_C = 0$) | 5 | | | V | |
| I_C | Collector Current | 6 | | | A | |
| I_{CM} | Collector Peak Current | 10 | | | A | |
| I_B | Base Current | 3 | | | A | |
| P_{tot} | Total Dissipation at $T_{case} \leq 25\text{ }^\circ\text{C}$ $T_{amb} \leq 25\text{ }^\circ\text{C}$ | 65 | | | W | |
| | | 2 | | | W | |
| T_{stg} | Storage Temperature | -65 to 150 | | | $^\circ\text{C}$ | |
| T_j | Max. Operating Junction Temperature | 150 | | | $^\circ\text{C}$ | |

TIP41A/TIP41B/TIP41C/TIP42A/TIP42B/TIP42C

THERMAL DATA

| | | | | |
|-----------------------|-------------------------------------|-----|------|------|
| R _{thj-case} | Thermal Resistance Junction-case | Max | 1.92 | °C/W |
| R _{thj-amb} | Thermal Resistance Junction-ambient | Max | 62.5 | °C/W |

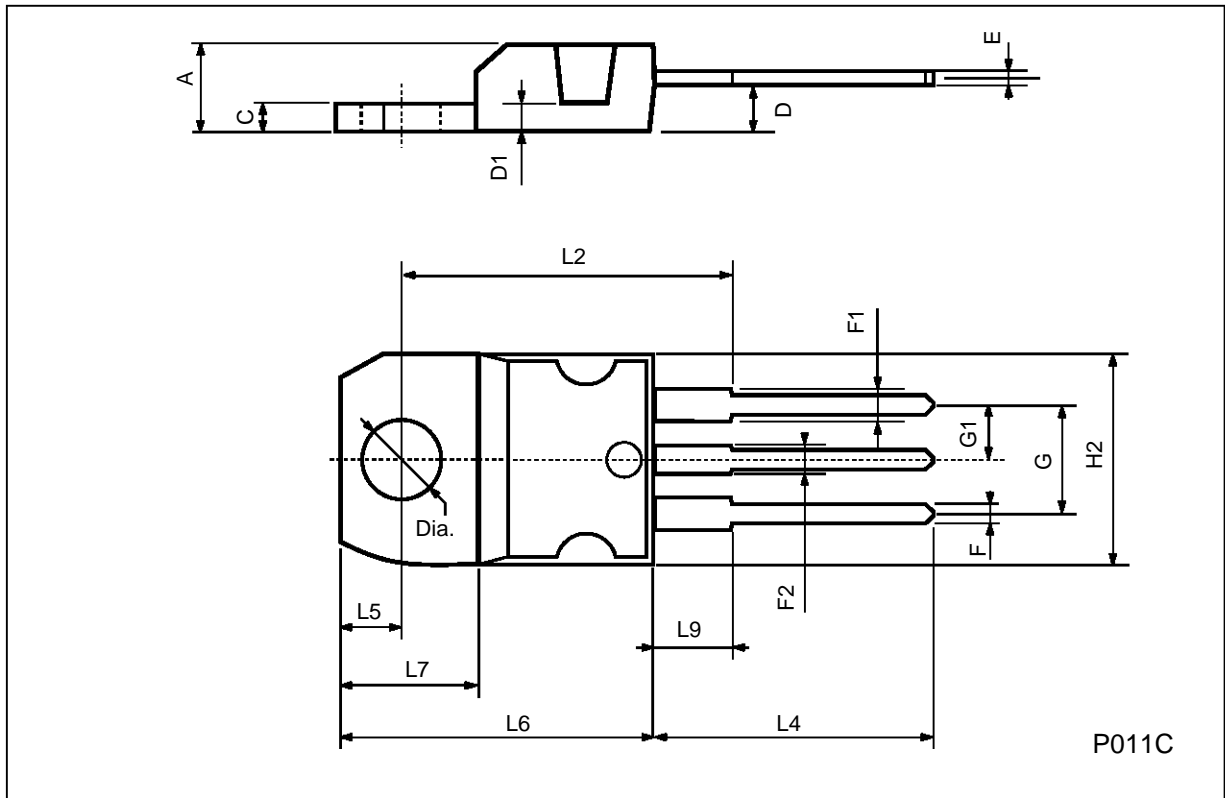
ELECTRICAL CHARACTERISTICS (T_{case} = 25 °C unless otherwise specified)

| Symbol | Parameter | Test Conditions | Min. | Typ. | Max. | Unit |
|-------------------------|---|---|-----------------|------|------|-------------|
| I _{CBO} | Collector Cut-off Current (I _B = 0) | for TIP41A/42A V _{CE} = 30 V for TIP41B/41C/42B/42C V _{CB} = 60 V | | | 0.7 | mA |
| I _{CES} | Collector Cut-off Current (V _{BE} = 0) | for TIP41A/42A V _{CE} = 60 V for TIP41B/42B V _{CE} = 80 V for TIP41C/42C V _{CE} = 100 V | | | 0.4 | mA |
| I _{EBO} | Emitter Cut-off Current (I _C = 0) | V _{EB} = 5 V | | | 1 | mA |
| V _{CEO(sus)} * | Collector-Emitter Sustaining Voltage (I _B = 0) | I _C = 30 mA for TIP41A/42A for TIP41B/42B for TIP41C/42C | 60 80 100 | | | V V V |
| V _{CE(sat)} * | Collector-Emitter Saturation Voltage | I _C = 6 A I _B = 0.6 A | | | 1.5 | V |
| V _{BE(on)} * | Base-Emitter Voltage | I _C = 6 A V _{CE} = 4 V | | | 2 | V |
| h _{FE} * | DC Current Gain | I _C = 0.3 A V _{CE} = 4 V I _C = 3 A V _{CE} = 4 V | 30 15 | | 75 | |
| h _{fe} | Small Signal Current Gain | I _C = 0.5 A V _{CE} = 10 V f = 1 KHz I _C = 0.5 A V _{CE} = 10 V f = 1 MHz | 20 3 | | | |

* Pulsed: Pulse duration = 300 μs, duty cycle ≤ 2 %
For PNP types voltage and current values are negative.

TO-220 MECHANICAL DATA

| DIM. | mm | | | inch | | |
|------|-------|------|-------|-------|-------|-------|
| | MIN. | TYP. | MAX. | MIN. | TYP. | MAX. |
| A | 4.40 | | 4.60 | 0.173 | | 0.181 |
| C | 1.23 | | 1.32 | 0.048 | | 0.051 |
| D | 2.40 | | 2.72 | 0.094 | | 0.107 |
| D1 | | 1.27 | | | 0.050 | |
| E | 0.49 | | 0.70 | 0.019 | | 0.027 |
| F | 0.61 | | 0.88 | 0.024 | | 0.034 |
| F1 | 1.14 | | 1.70 | 0.044 | | 0.067 |
| F2 | 1.14 | | 1.70 | 0.044 | | 0.067 |
| G | 4.95 | | 5.15 | 0.194 | | 0.203 |
| G1 | 2.4 | | 2.7 | 0.094 | | 0.106 |
| H2 | 10.0 | | 10.40 | 0.393 | | 0.409 |
| L2 | | 16.4 | | | 0.645 | |
| L4 | 13.0 | | 14.0 | 0.511 | | 0.551 |
| L5 | 2.65 | | 2.95 | 0.104 | | 0.116 |
| L6 | 15.25 | | 15.75 | 0.600 | | 0.620 |
| L7 | 6.2 | | 6.6 | 0.244 | | 0.260 |
| L9 | 3.5 | | 3.93 | 0.137 | | 0.154 |
| DIA. | 3.75 | | 3.85 | 0.147 | | 0.151 |



Information furnished is believed to be accurate and reliable. However, SGS-THOMSON Microelectronics assumes no responsibility for the consequences of use of such information nor for any infringement of patents or other rights of third parties which may result from its use. No license is granted by implication or otherwise under any patent or patent rights of SGS-THOMSON Microelectronics. Specifications mentioned in this publication are subject to change without notice. This publication supersedes and replaces all information previously supplied. SGS-THOMSON Microelectronics products are not authorized for use as critical components in life support devices or systems without express written approval of SGS-THOMSON Microelectronics.

© 1995 SGS-THOMSON Microelectronics - All Rights Reserved

SGS-THOMSON Microelectronics GROUP OF COMPANIES

Australia - Brazil - France - Germany - Hong Kong - Italy - Japan - Korea - Malaysia - Malta - Morocco - The Netherlands - Singapore - Spain - Sweden - Switzerland - Taiwan - Thailand - United Kingdom - U.S.A