

## Adjustable Precision Shunt Regulator

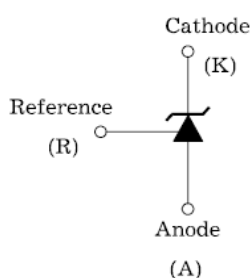
### ◆ Description

The TL431 is a three-terminal adjustable regulator series with a guaranteed thermal stability over applicable temperature ranges. The output voltage may be set to any value between  $V_{ref}$  and 36 volts with two external resistors. These device have a typical dynamic output impedance of  $0.27\Omega$ , Active output circuitry provides a very sharp turn-on characteristic, making these devices excellent replacement for zener diodes in many applications.

### ◆ Features

- Programmable Output Voltage to 36V.
- Low Dynamic Output Impedance : TL431xx:  $0.27\ \Omega$  (Typical).
- Sink Current Capability of 0.1mA to 100mA.
- Equivalent Full-Range Temperature Coefficient of 50 ppm/°C
- Temperature Compensated for Operation over Full Rated Operating Temperature Range.
- Low Output Noise Voltage.
- Fast Turn on Responds.
- SOT-23, TO-92, SOT-89, SOP-8 packages

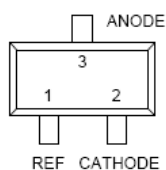
### ◆ Symbol



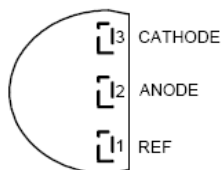
### ◆ Applications

- Precision Voltage Reference
- Linear Regulator
- Adjustable Power Supply
- Switching Power Supply
- Graphic Card
- Adapter

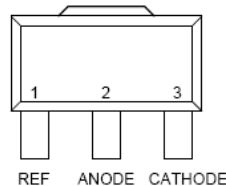
### ◆ Pin Description



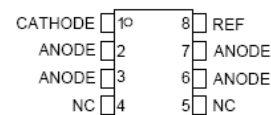
SOT-23 (Top View)



TO-92 (Top View)



SOT-89 (Top View)



SOP-8 (Top View)

### ◆ Absolute Maximum Ratings

Symbol	Parameter		Value	Unit
$V_{KA}$	Cathode Voltage	TL431xx	40	V
$I_K$	Cathode Current Range(Continuous)		-100~150	mA
$I_{REF}$	Reference Input Current Range		0.05~10	mA
$T_{oper.}$	Operating Temperature Range	TL431xx	-20~85	°C
$T_J$	Junction Temperature Range		150	°C
$T_{stg}$	Storage Temperature Range		-65~+150	°C

### ◆ Thermal Characteristics

Symbol	Parameter	Package	Typical Value	Unit
$\theta_{JA}$	Thermal Resistance From Junction to Ambient in Free Air. (Measured with the component mounted on a high effective thermal conductivity test board in free air.)	SOT-23	416	°C/W
		TO-92	250	
		SOT-89	250	
		SOP-8	210	

### ◆ Recommended Operating Conditions

Symbol	Characteristic		Min.	Typ.	Max.	Unit
$V_{KA}$	Cathode Voltage	TL431xx	$V_{REF}$	-	36	V
$I_K$	Cathode Current	TL431xx	0.5	-	100	mA

### ◆ Electrical Characteristics

( $T_a=25\text{ }^\circ\text{C}$ ,  $V_{KA}=V_{REF}$ ,  $I_K=10\text{mA}$  unless otherwise noted .)

Symbol	Parameter		Test Condition	Min.	Typ.	Max.	Unit	
$V_{REF}$	Reference input Voltage		$V_{KA}=V_{REF}$ , $I_K=10\text{mA}$	0.5%	2.483	2.495	2.508	V
				1%	2.470	2.495	2.520	
$V_{REF(dev)}$	Deviation of Reference Input Voltage Over Full Temperature Range		$T_{min} \leq T_a \leq T_{max}$	-	3	17	mV	
$\frac{\Delta V_{REF}}{\Delta V_{KA}}$	Ratio of change in Reference input Voltage to the Change in Cathode Voltage		$\Delta V_{KA}=10\text{V}-V_{REF}$	-0.4	-	2.7	mV/ V	
			$\Delta V_{KA}=36\text{V}-10\text{V}$	-0.4	-	2.0		
$I_{REF}$	Reference Input Current		$R_1=10\text{K}\Omega$ , $R_2=\infty$	-	1.8	4	$\mu\text{A}$	
$I_{REF(dev)}$	Deviation of Reference Input Current Over Full Temperature Range		$R_1=10\text{K}\Omega$ , $R_2=\infty$	-	0.4	1.2	$\mu\text{A}$	
$I_{K(min)}$	Minimum Cathode Current for Regulation			-	0.25	0.5	mA	
$I_{K(off)}$	Off-State Cathode Current		$V_{KA}=40\text{V}$ , $V_{REF}=0$	-	0.17	0.9	$\mu\text{A}$	
$Z_{KA}$	Dynamic Impedance	TL431xx	$I_K=1\text{mA}$ to $100\text{mA}$ $f \leq 1.0\text{KHz}$	-	0.27	0.5	$\Omega$	

◆ Test Circuit

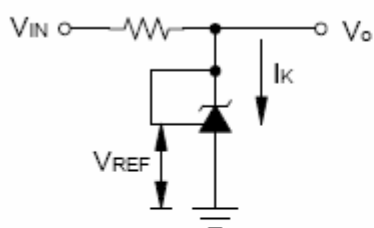


Figure 1. Test Circuit for  $V_{KA} = V_{REF}$ ,  $V_O = V_{KA} = V_{REF}$

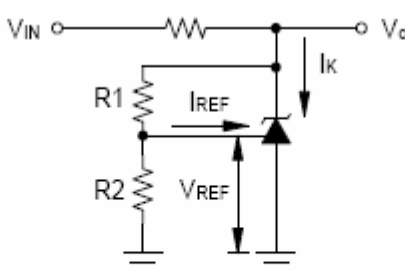


Figure 2. Test Circuit for  $V_{KA} > V_{REF}$ ,  $V_O = V_{KA} = V_{REF} \times (1 + R_1/R_2) + I_{REF} \times R_1$

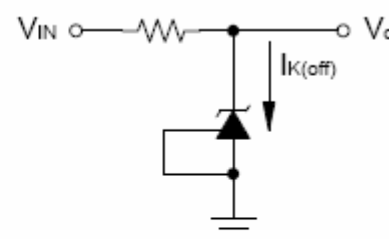
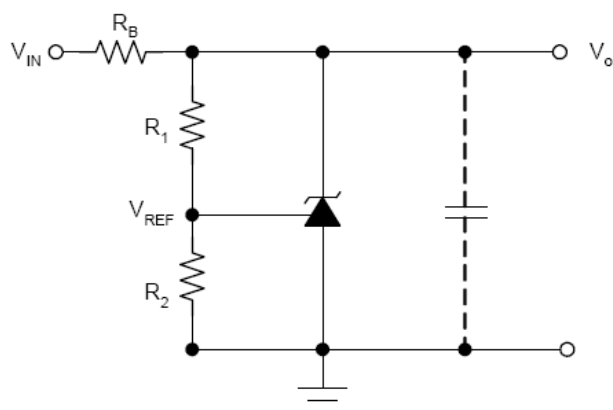
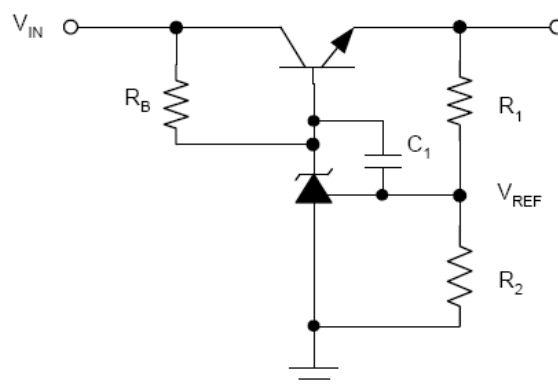


Figure 3. Test Circuit for  $I_{K(off)}$

◆ Typical Application Circuits



Precision Voltage Reference

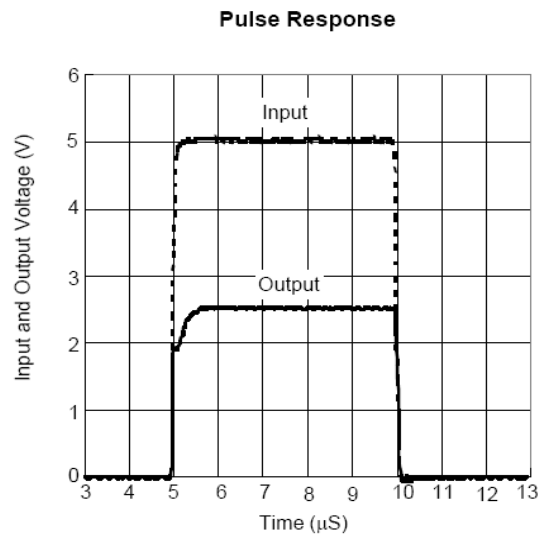
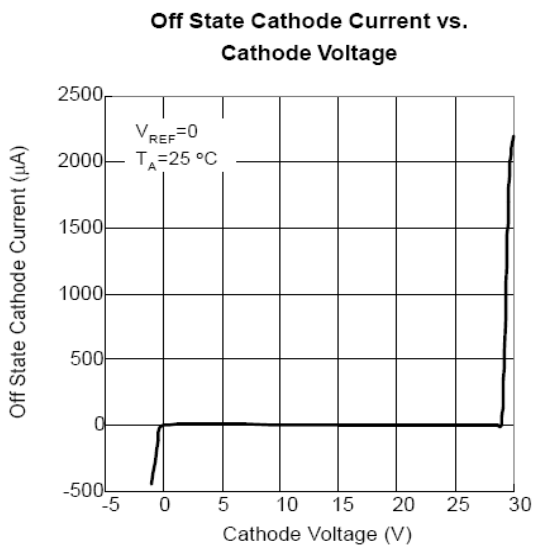
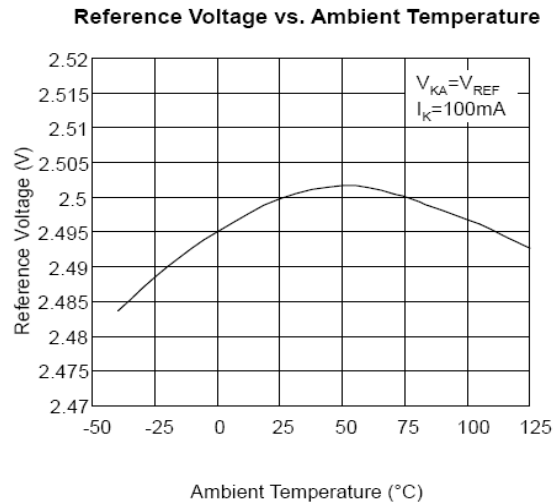
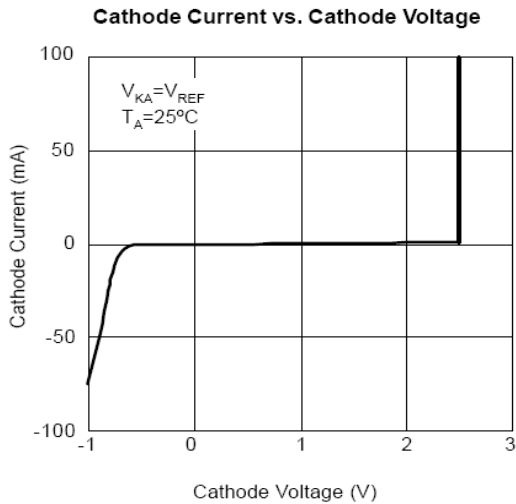
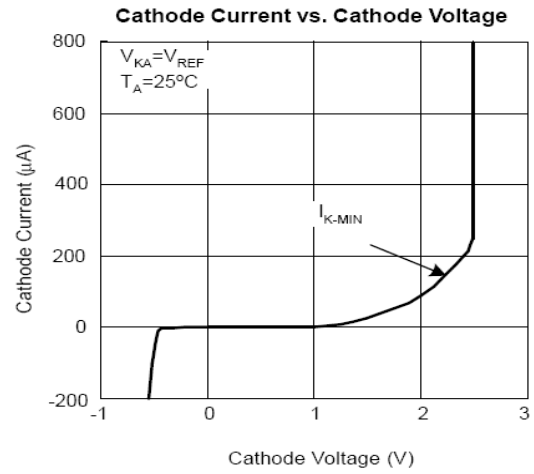
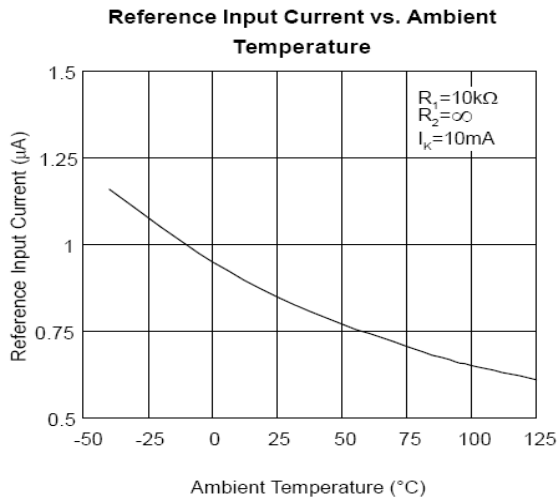


Precision High-Current Series Regulator

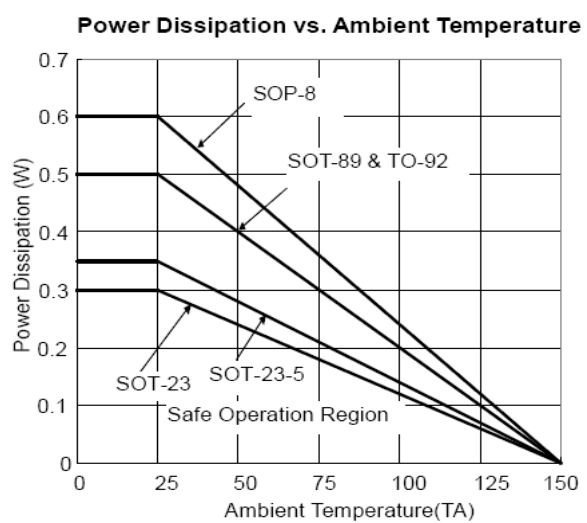
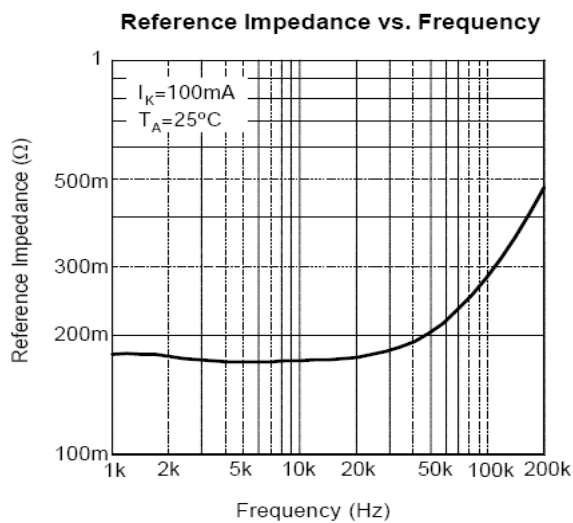
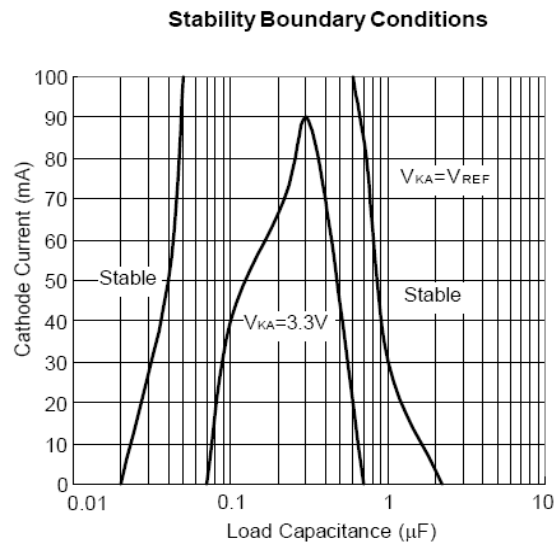
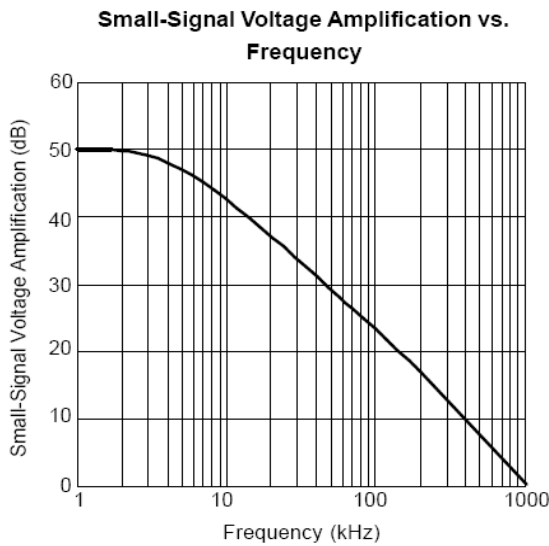
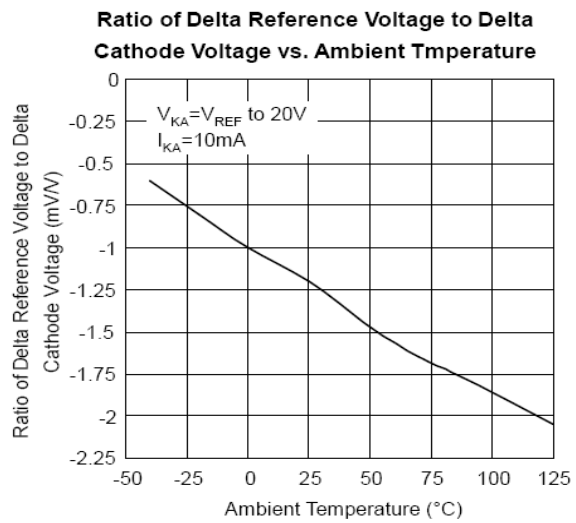
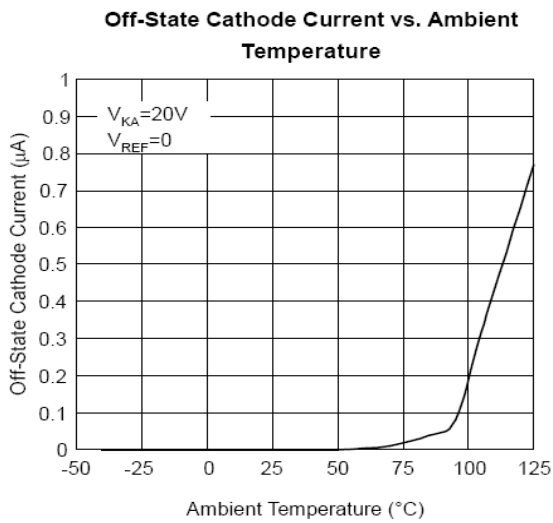
Notes for Typical Application Circuits:

1. For the series regulator applications, add a compensation capacitor  $C_1$  between CATHODE and REF is strongly recommended to improve the stability of output voltage.
2. Set  $V_o$  according to the following equation:  $V_o = V_{REF}(1 + R_1/R_2) + I_{REF} \times R_1$ .
3. Choose the Value for  $R_B$  as below:
  - (1). The maximum limit for  $R_B$  should be such that the cathode current ( $I_K$ ) is greater than the minimum operating current (0.5mA) at  $V_{IN(MIN)}$ .
  - (2). The minimum limit for  $R_B$  should be such that the cathode current ( $I_K$ ) does not exceed 100mA under all load conditions, and the instantaneous turn-on value for  $I_K$  does not exceed 120mA.

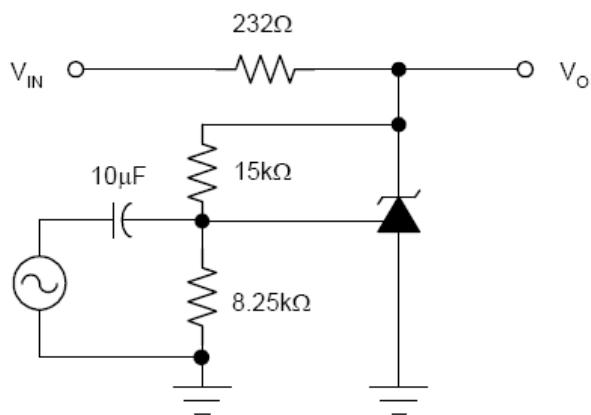
## ◆ Typical Characteristics



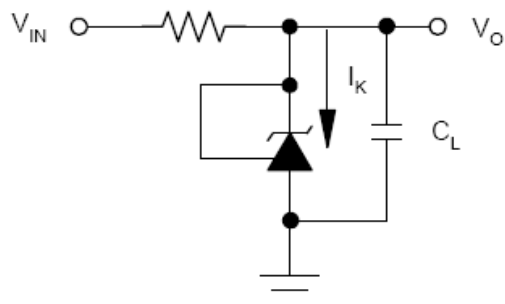
### ◆ Typical Characteristics (Continued)



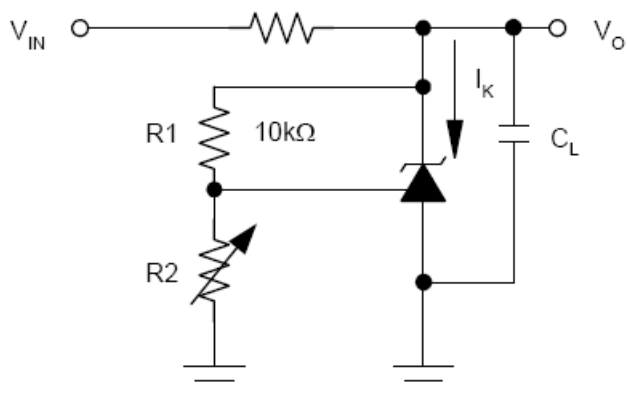
◆ Typical Characteristics (Continued)



Voltage Amplification Test Circuit



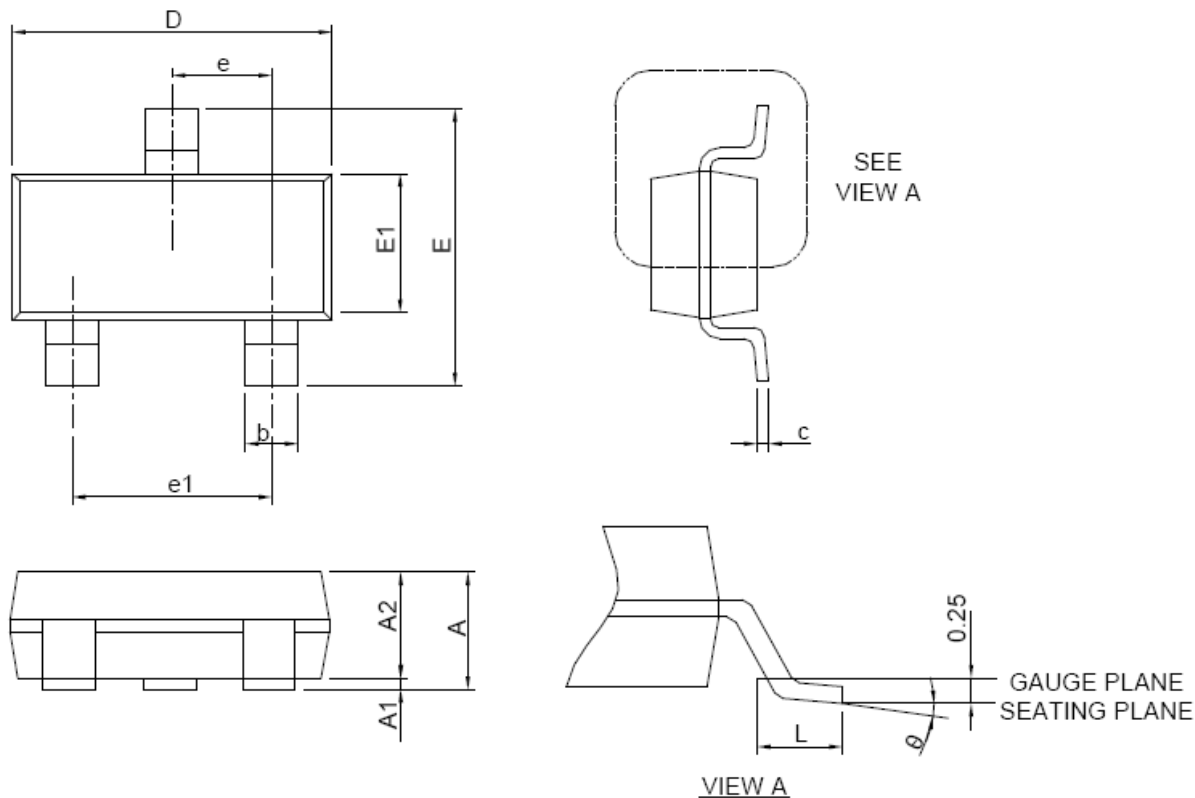
Stability Test Circuit for  $V_{KA} = V_{REF}$



Stability Test Circuit for  $V_{KA} > V_{REF}$   
 $V_O = V_{KA} = V_{REF} \times (1 + R1/R2) + I_{REF} \times R1$   
 Use the MLCC for  $C_L$

◆ Package Information

SOT-23

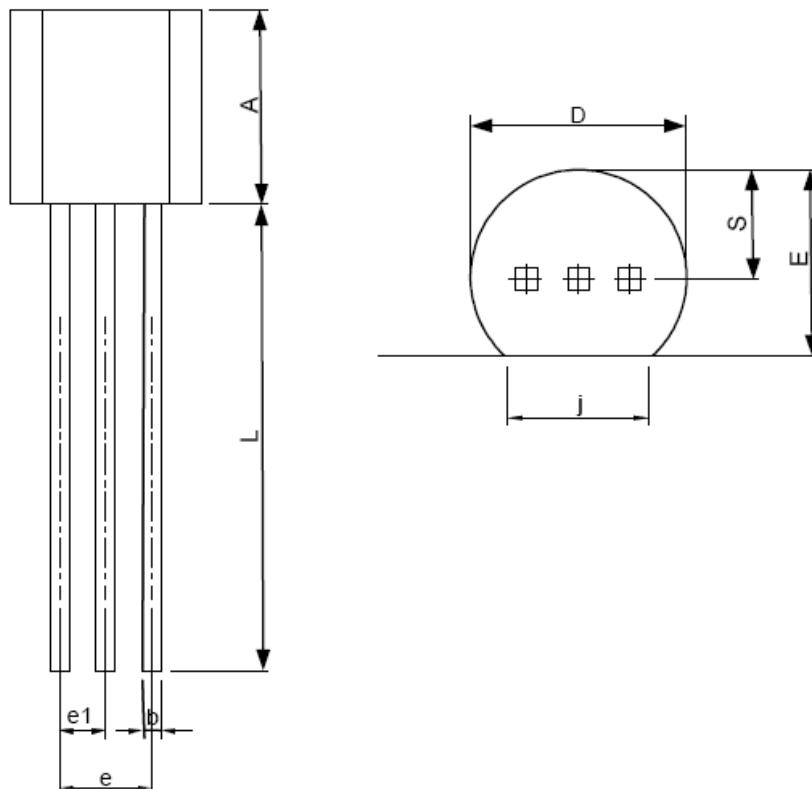


SYMBOL	SOT-23			
	MILLIMETERS		INCHES	
	MIN.	MAX.	MIN.	MAX.
A		1.15		0.045
A1	0.00	0.10	0.000	0.004
A2	0.90	1.05	0.035	0.041
b	0.30	0.50	0.012	0.020
c	0.08	0.15	0.003	0.006
D	2.70	3.00	0.110	0.118
E	2.25	2.55	0.089	0.100
E1	1.20	1.40	0.047	0.055
e	0.95 BSC		0.037 BSC	
e1	1.90 BSC		0.075 BSC	
L	0.30	0.60	0.012	0.024
$\theta$	0°	8°	0°	8°



◆ Package Information

TO-92

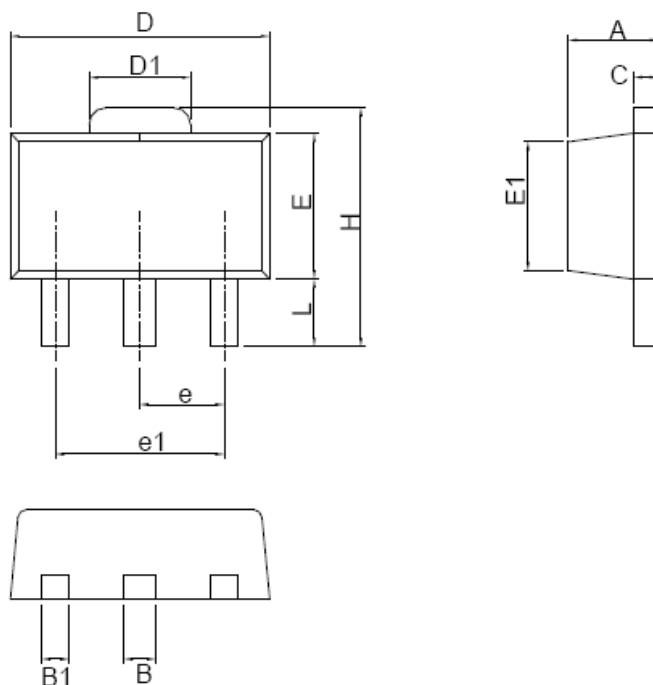


SYMBOL	TO-92			
	MILLIMETERS		INCHES	
	MIN.	MAX.	MIN.	MAX.
A	4.32	5.33	0.170	0.210
b	0.41	0.53	0.016	0.021
D	4.45	5.20	0.175	0.205
E	3.18	4.19	0.125	0.165
e	2.42	2.66	0.095	0.105
e1	1.15	1.39	0.045	0.055
j	3.43	4.00	0.135	0.157
L	12.70	15.00	0.500	0.591
S	2.03	2.66	0.080	0.105

Note : Follow JEDEC TO-92.

◆ Package Information

SOT-89

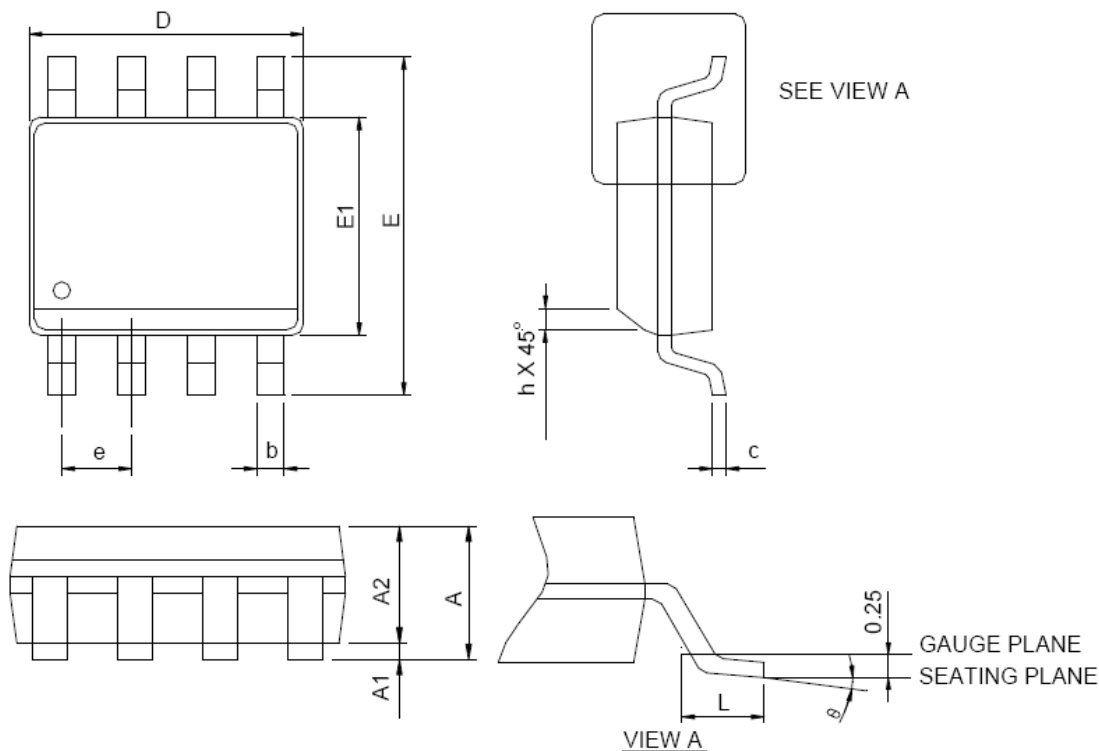


SYMBOL	SOT-89			
	MILLIMETERS		INCHES	
	MIN.	MAX.	MIN.	MAX.
A	1.40	1.60	0.055	0.063
B	0.44	0.56	0.017	0.022
B1	0.36	0.48	0.014	0.019
C	0.35	0.44	0.014	0.017
D	4.40	4.60	0.173	0.181
D1	1.62	1.83	0.064	0.072
E	2.29	2.60	0.090	0.102
E1	2.13	2.29	0.084	0.090
e	1.50 BSC		0.059 BSC	
e1	3.00 BSC		0.118 BSC	
H	3.94	4.25	0.155	0.167
L	0.89	1.20	0.035	0.047

Note : Follow JEDEC TO-243 AA.

◆ Package Information

SOP-8

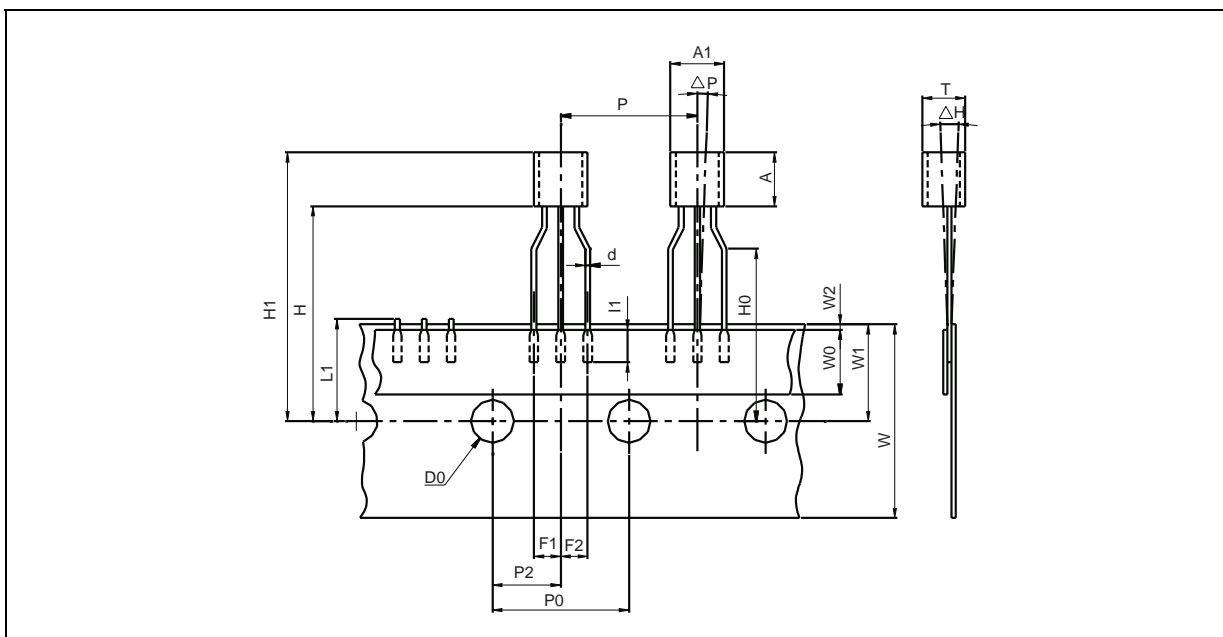


SYMBOL	SOP-8			
	MILLIMETERS		INCHES	
	MIN.	MAX.	MIN.	MAX.
A		1.75		0.069
A1	0.10	0.25	0.004	0.010
A2	1.25		0.049	
b	0.31	0.51	0.012	0.020
c	0.17	0.25	0.007	0.010
D	4.80	5.00	0.189	0.197
E	5.80	6.20	0.228	0.244
E1	3.80	4.00	0.150	0.157
e	1.27 BSC		0.050 BSC	
h	0.25	0.50	0.010	0.020
L	0.40	1.27	0.016	0.050
$\theta$	0°	8°	0°	8°

- Note: 1. Follow JEDEC MS-012 AA.  
 2. Dimension "D" does not include mold flash, protrusions or gate burrs. Mold flash, protrusion or gate burrs shall not exceed 6 mil per side.  
 3. Dimension "E" does not include inter-lead flash or protrusions. Inter-lead flash and protrusions shall not exceed 10 mil per side.

◆ Package Information

TO-92L (TAPE & REEL)



Dim.	Millimeters			Inches		
	Min	Typ.	Max.	Min.	Typ.	Max.
AL			5.0			0.197
A			5.0			0.197
T			4.0			0.157
d		0.45			0.018	
I1	2.5			0.098		
P	11.7	12.7	13.7	0.461	0.500	0.539
PO	12.4	12.7	13	0.488	0.500	0.512
P2	5.95	6.35	6.75	0.234	0.250	0.266
F1/F2	2.4	2.5	2.8	0.094	0.098	0.110
Δh	-1	0	1	-0.039	0	0.039
ΔP	-1	0	1	-0.039	0	0.039
W	17.5	18.0	19.0	0.689	0.709	0.748
W0	5.7	6	6.3	0.224	0.236	0.248
W1	8.5	9	9.75	0.335	0.354	0.384
W2			0.5			0.020
H			20			0.787
H0	15.5	16	16.5	0.610	0.630	0.650
H1			25			0.984
DO	3.8	4.0	4.2	0.150	0.157	0.165
L1			11			0.433