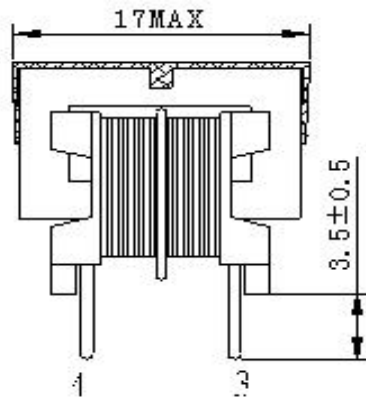


Model: uu9.8

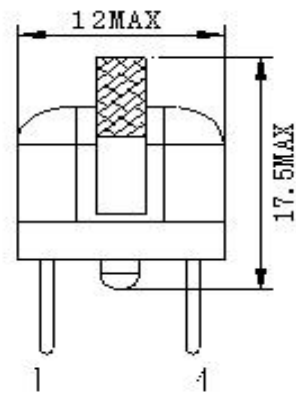
Sensitivity: 5mh

Wire diameter: 0.35ϕ

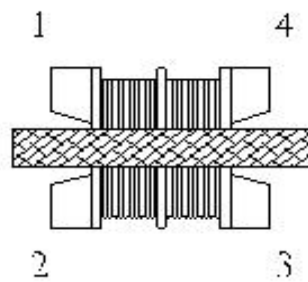
Product size: (mm)



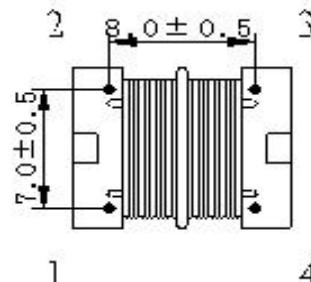
二视图



侧视图



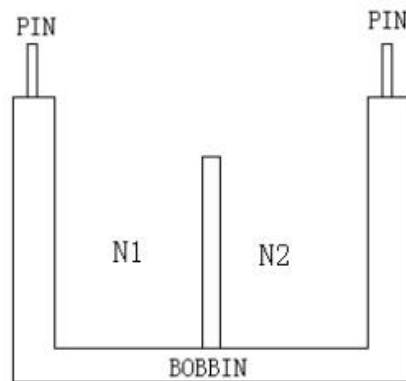
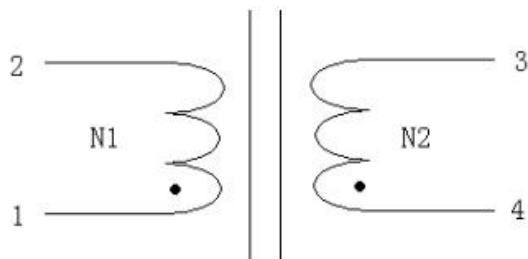
前视图



底视图

Product circuit schematic:

Product winding structure diagram:



Winding	Phase	Copper wire specifications and number of coils	Insulation Tape	Note
N1	1--2	2UEW\varnothing 0.35*38TS (reference)	Unwound	Close
N2	4--3	2UEW\varnothing 0.35*38TS (reference)	Unwound	Close

Note: The inductance is prevailing, and the number of turns is used as a reference.