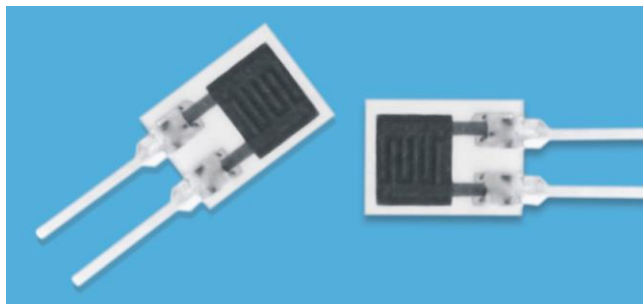


# Condensation sensor

## Product Manual

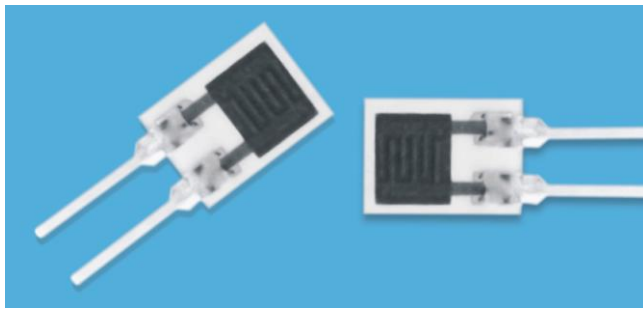
HDS10



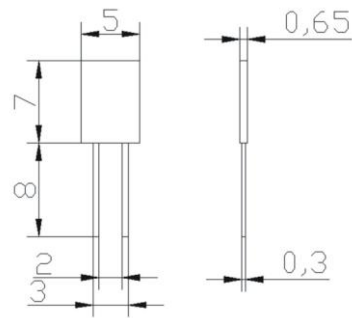
[www.satistronics.com](http://www.satistronics.com)

## 1、 Product Overview

HDS10 condensation sensor switching element of the positive characteristics of low humidity sensitive only to high humidity sensitive work in the DC voltage, stable quality, reliability reached the international advanced level.



Physical map



Dimensions ( Unit: mm )

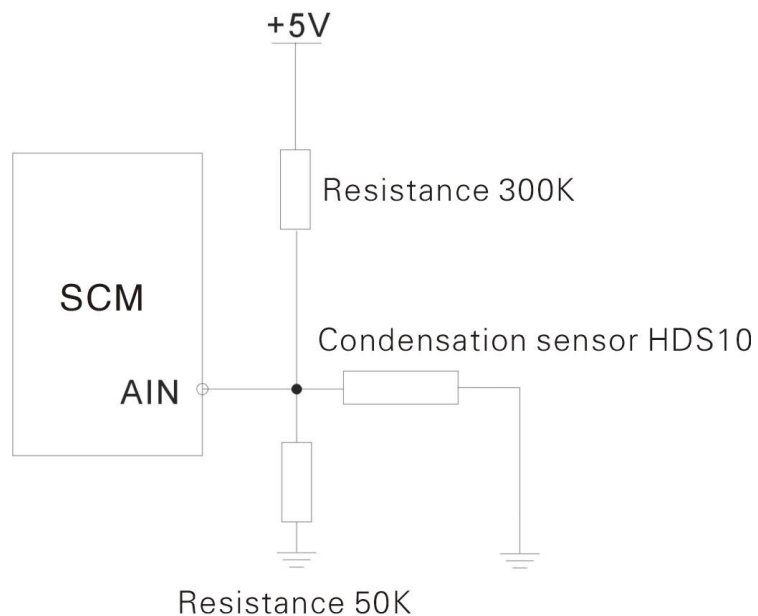
## 2、 Range of applications

Electronics, pharmaceutical, food, warehousing, tobacco, textile, meteorological, and other industries. Table of temperature and humidity, humidifiers, dehumidifiers, air conditioners, microwave ovens and other products.

## 3、 Features

Fast response, the contamination resistance, the DC voltage, high reliability, good stability, a high-humidity environment with a high sensitivity.

## 4、 Circuit diagram



## 5、Product parameters

Supply voltage: 0.8V DC (safety voltage)

Operating temperature range: 1 ~ 80°C

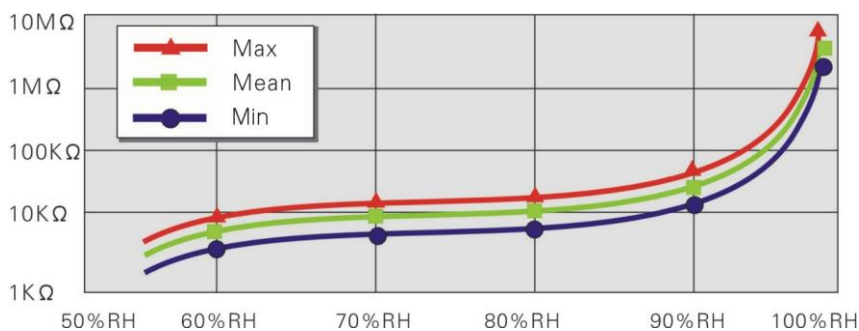
To use Humidity range: 1 ~ 100% RH

Condensation test range: 94 ~ 100% RH

## 6、Characteristic parameters

Project	Test conditions	Norm
Resistance value	75%RH 25°C	10KΩ Max
	93%RH 25°C	70KΩ Max
	100%RH 60°C	200KΩ Max
Response speed	25°C, 60%RH → 60°C, 100%RH	Less than 5 seconds
Temp. cycling	-40°C, 30 minute ~ 85°C, 30 minute 5 cycles relative humidity resistance value	
Place	High temperature 85°C, 2000 hour	
	Hypothermia -40°C, 2000 hour	
	Hypothermia 40°C, 5%RH, 2000 hour	
	High temperature 40°C, 90~95%RH, 2000 hour	25°C 75%RH 20KΩ Max
Humidity load	40°C, 90~95%RH+DC 0.8V 2000 hour 25°C 93%RH 90~100 KΩ	
Condensation cycle	25°C, 60%RH, 57 Minute 60°C	Above 100KΩ
	25°C, 100%RH, 3 Minute 2000 bout 100%RH	Above 100KΩ

## 7、Characteristic curve of FIG



## **8、 License Agreement**

In any form or by any means, whether electronic or mechanical (including photocopying), copy any part of this manual, nor may its contents be communicated to a third party without the prior written permission of the copyright holder. The contents are subject to change without notice.

Has AOSONG and third-party ownership of the software, the user may proceed only after the signing of a contract or license to use software.

## **9、 Warnings and personal injury**

This product is not applied in the safety protection device or an emergency stop device, and the product failure may lead to any other application of injury in. Shall not be used this product unless there is a special purpose or use authorization. Refer to the product data sheets and Application guide in the installation, processing, use or maintenance of the products before. If not honor this suggestion, could result in death or serious personal injury. The company will not be liable for the resulting in personal injury and death and all damages, from managers and employees of the company and affiliated agents, distributors may have any claim, including: all the costs, expenses, attorney fees etc..